



ACCESSORIES

Current transformer

Split-core current transformer

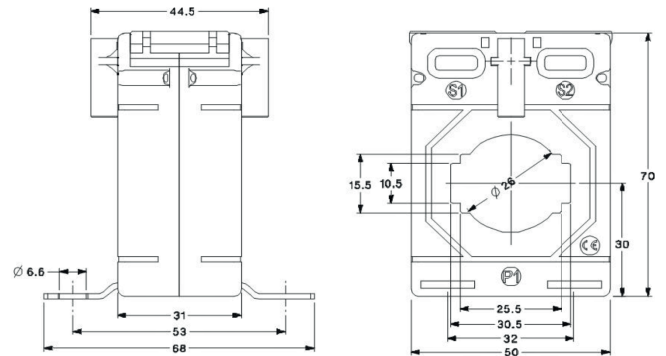
CURRENT TRANSFORMER SERIE EMCT

Current transformer for primary currents from 100 A to 5000A, secondary rated current 5A, in accuracy classes 0.5 and 1. The delivery of the Current transformer includes the necessary mounting materials. The DIN-Raily snap-on mounting is available as an option



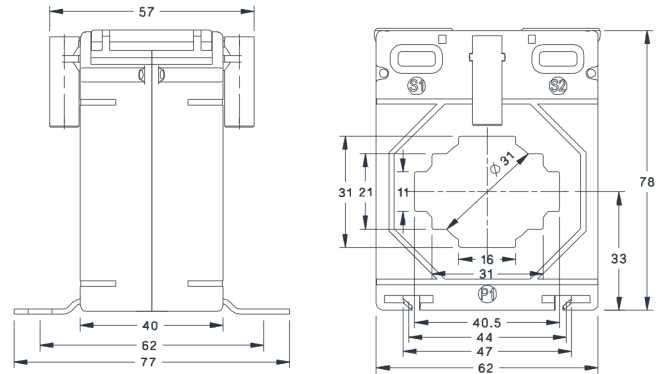
EMCT 31

Bus bar 1	30 x 10mm
Round conductor	Ø26mm
Width	50mm
Height	70mm
Depth	30mm
Accuracy class	1 oder 0.5



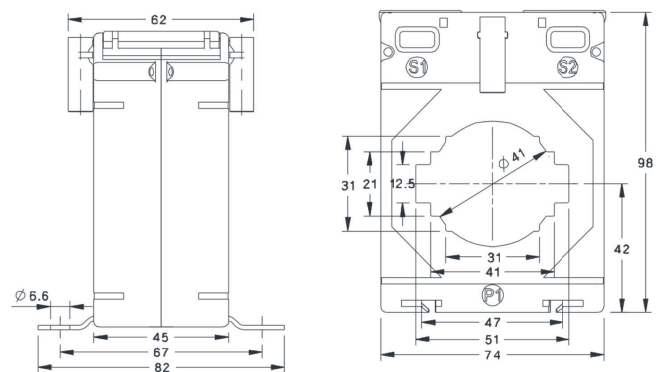
EMCT 41

Bus bar 1	40 x 10mm
Round conductor	Ø31mm
Width	62mm
Height	78mm
Depth Wandler	40mm
Accuracy class	0.5



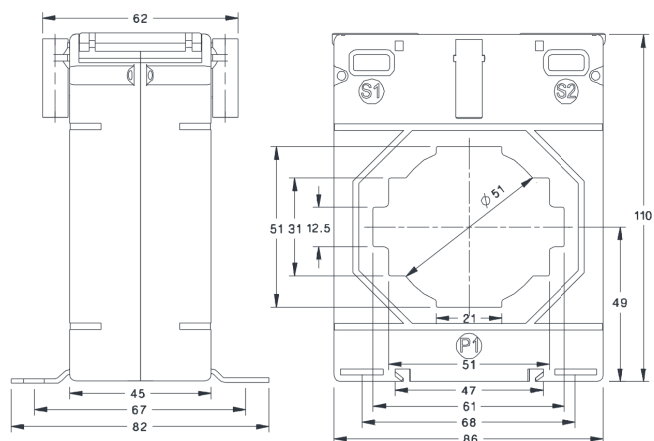
EMCT 51

Bus bar 1	50 x 10mm
Bus bar 2	2 x 30 x 10mm
Round conductor	Ø41mm
Width	74mm
Height	98mm
Depth Wandler	45mm
Accuracy class	0.5



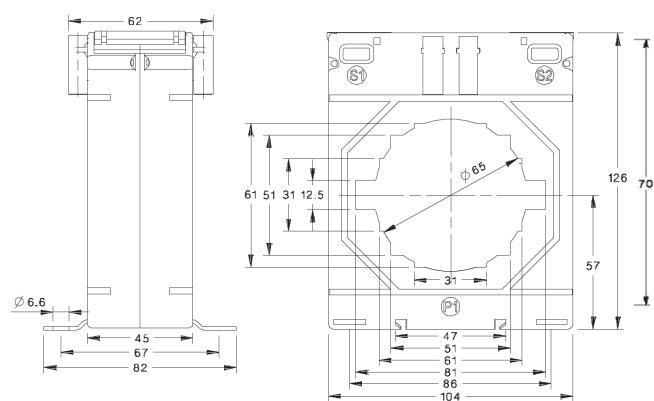
EMCT 61

Bus bar 1	60 x 10mm
Bus bar 2	2 x 50 x 10mm
Round conductor	Ø51mm
Width	86mm
Height	110mm
Depth	45mm
Accuracy class	0.5



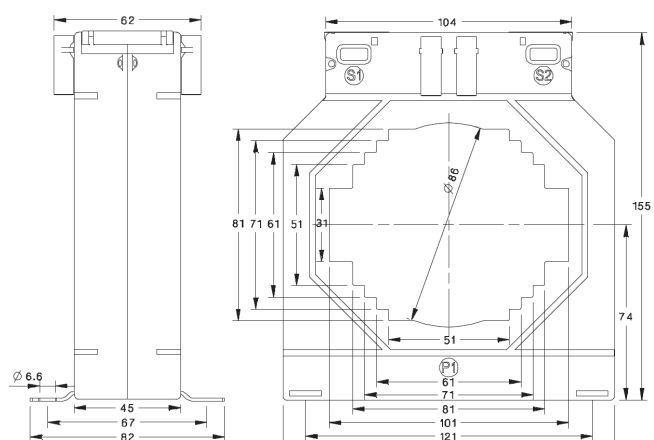
EMCT 81

Bus bar 1	80 x 10mm
Bus bar 2	2 x 60 x 10mm
Round conductor	Ø65mm
Width	104mm
Height	126mm
Depth	45mm
Accuracy class	0.5



EMCT 101

Bus bar 1	2 x 100 x 10
Round conductor	Ø86mm
Width	140mm
Height	155mm
Depth gesamt	45mm
Accuracy class	0.5



CURRENT TRANSFORMER SERIE EMCT

ORDER INFORMATION

Part number	Ratio	VA	Diameter	Accuracy class
EMCT 31				
CT.31.100	100/5A	2.5	30 x 10 mm / Ø26mm	1
CT.31.125	125/5A	2.5	30 x 10 mm / Ø26mm	1
CT.31.150	150/5A	2.5	30 x 10 mm / Ø26mm	1
CT.31.200	200/5A	2.5	30 x 10 mm / Ø26mm	1
CT.31.250	250/5A	2.5	30 x 10 mm / Ø26mm	0.5
CT.31.300	300/5A	3.75	30 x 10 mm / Ø26mm	0.5
CT.31.400	400/5A	5	30 x 10 mm / Ø26mm	0.5
CT.31.DIN	DIN-Rail snap-on			
EMCT 41				
CT.41.300	300/5A	5	40 x 10 mm / Ø31mm	0.5
CT.41.400	400/5A	5	40 x 10 mm / Ø31mm	0.5
CT.41.500	500/5A	7.5	40 x 10 mm / Ø31mm	0.5
CT.41.600	600/5A	10	40 x 10 mm / Ø31mm	0.5
CT.41.DIN	DIN-Rail snap-on			
EMCT 51				
CT.51.400	400/5A	10	50 x 10 mm / Ø41mm	0.5
CT.51.500	500/5A	10	50 x 10 mm / Ø41mm	0.5
CT.51.600	600/5A	15	50 x 10 mm / Ø41mm	0.5
CT.51.800	800/5A	20	50 x 10 mm / Ø41mm	0.5
CT.51.1000	1000/5A	20	50 x 10 mm / Ø41mm	0.5
EMCT 61				
CT.61.400	400/5A	10	60 x 10 mm / Ø51mm	0.5
CT.61.500	500/5A	10	60 x 10 mm / Ø51mm	0.5
CT.61.600	600/5A	15	60 x 10 mm / Ø51mm	0.5
CT.61.800	800/5A	20	60 x 10 mm / Ø51mm	0.5
CT.61.1000	1000/5A	20	60 x 10 mm / Ø51mm	0.5



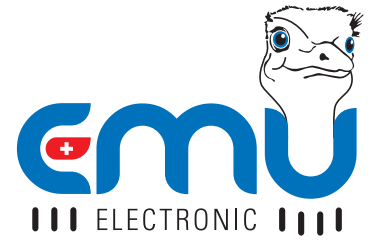
Part number	Ratio	VA	Diameter	Accuracy class
EMCT 81				
CT.81.600	600/5A	7.5	80 x 10 mm / Ø65mm	0.5
CT.81.800	800/5A	10	80 x 10 mm / Ø65mm	0.5
CT.81.1000	1000/5A	20	80 x 10 mm / Ø65mm	0.5
CT.81.1250	1250/5A	20	80 x 10 mm / Ø65mm	0.5
CT.81.1600	1600/5A	20	80 x 10 mm / Ø65mm	0.5
CT.81.2000	2000/5A	20	80 x 10 mm / Ø65mm	0.5
EMCT 101				
CT.101.1000	1000/5A	15	2x 100 x 10 mm / Ø86mm	0.5
CT.101.1600	1600/5A	20	2x 100 x 10 mm / Ø86mm	0.5
CT.101.2000	2000/5A	45	2x 100 x 10 mm / Ø86mm	0.5
CT.101.3000	3000/5A	60	2x 100 x 10 mm / Ø86mm	0.5
CT.101.4000	4000/5A	60	2x 100 x 10 mm / Ø86mm	0.5
CT.101.5000	5000/5A	20	2x 100 x 10 mm / Ø86mm	0.5

CURRENT TRANSFORMER



ORDER INFORMATION

Part number	Ratio	Diameter	Power
942212	100/1A TQ40-B	Ø18mm	0.2VA
942214	150/1A TQ40-B	Ø18mm	0.2VA
942225	200/1A TQ40-C	Ø28mm	0.2VA
942226	250/1A TQ40-C	Ø28mm	0.2VA
942227	300/1A TQ40-C	Ø28mm	0.2VA
942228	400/1A TQ40-C	Ø28mm	0.2VA
4Q5E12	400/1A TQ50-E	Ø42mm	0.5VA
4Q5E13	500/1A TQ50-E	Ø42mm	0.5VA
4Q5E14	600/1A TQ50-E	Ø42mm	0.5VA
4Q5E15	750/1A TQ50-E	Ø42mm	0.5VA
4Q5E17	1000/1A TQ50-E	Ø42mm	0.5VA
4Q5L64	800/1A TQ50-L	Ø42mm * 84mm	0.5VA
4Q5L17	1000/1A TQ50-L	Ø42mm * 84mm	0.5VA



EMU Metering GmbH

Friemarier Str. 38
99867 Gotha
Deutschland

Mail: hello@emu-metering.de
Web: www.emu-metering.de

EMU Electronic AG

Jöchlerweg 2
6340 Baar
Schweiz

Mail: info@emuag.ch
Web: www.emuag.ch

Stand: 2022.12.01

Technische Änderungen vorbehalten.